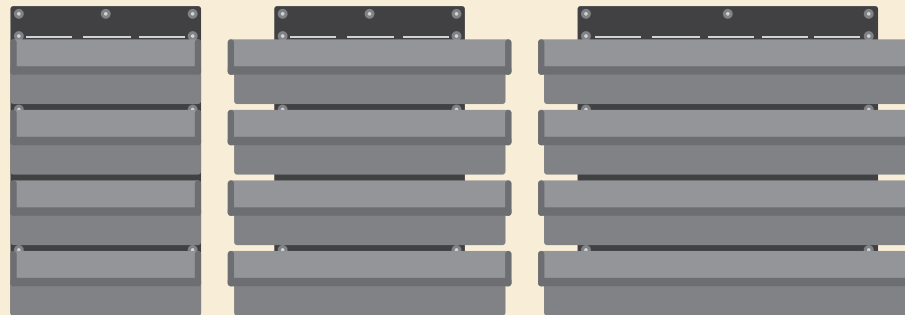




Your green fulfilment partner

NextGen Living Wall

Ordering and assembly manual
13/12 hydro or 14 cm soil-based plants



NextGen Living Wall

Table of Contents

Step-by-step plan3
Preparation4
Dimensions6
Assembly9

NextGen Living Wall

Step-by-step plan

Before assembling a NextGen Living Wall, it is important to check a few things:

- Does the wall you want to place the system on have sufficient load-bearing capacity?
- Where are any water pipes / electricity cables located in the wall?
- Is a water outlet nearby?

Then check the following steps:

Step 1: Determine the required dimensions of the wall (width x height).

Step 2: First assemble the bottom layer of the wall at the required width, working from left to right when selecting modules. You can choose from modules of 50, 75 and 100 cm. These modules are always 82 cm high. Select from: 6NXGAM50D, 6NXGAM75D, 6NXGAM99D.

Step 3: Having selected the bottom layer, you can now assemble the top layer/layers. Please remember to work from left to right and from bottom to top. Furthermore, the width of the modules must be equal to the width of the modules in the bottom layer. After assembly, the modules are 75 cm high (the bottom planter has a 7 cm overlap, see figure on page 8). Select from: 6NXGAM50X, 6NXGAM75X, 6NXGAM99X.

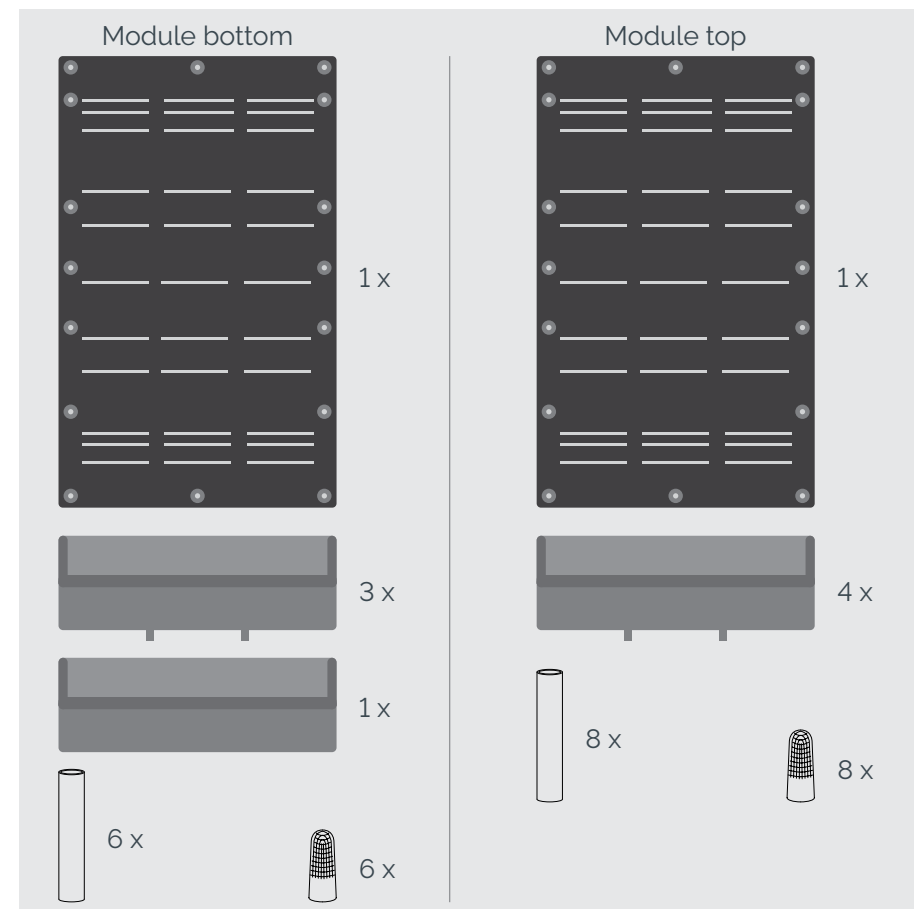
Step 4: Do you require any accessories such as hydro-screens (if you selected hydroculture) or wicks (for soil-based plants) and/or assembly fixtures? Don't forget to order such items. Please note: this manual is applicable for hydroculture pot 13/12 or soil-based plants pot 14 cm.

Step 5: You can order the selected modules now.

The ordering units do not include any assembly fixtures. These must be purchased separately.

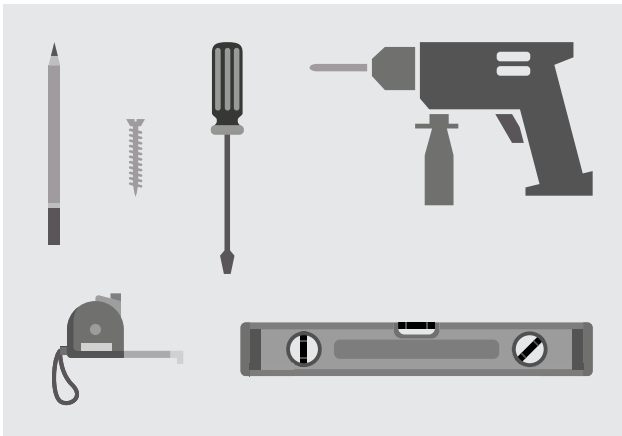
NextGen Living Wall Preparation

A module consists of a grid, planters, drain hoses and leaf catchers.



Make sure that the wall can be safely and solidly affixed. In case of any doubt, always contact a building expert.

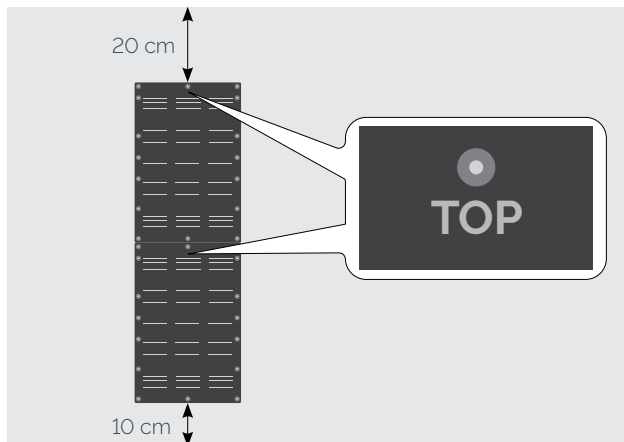
Required tools and materials for assembly.



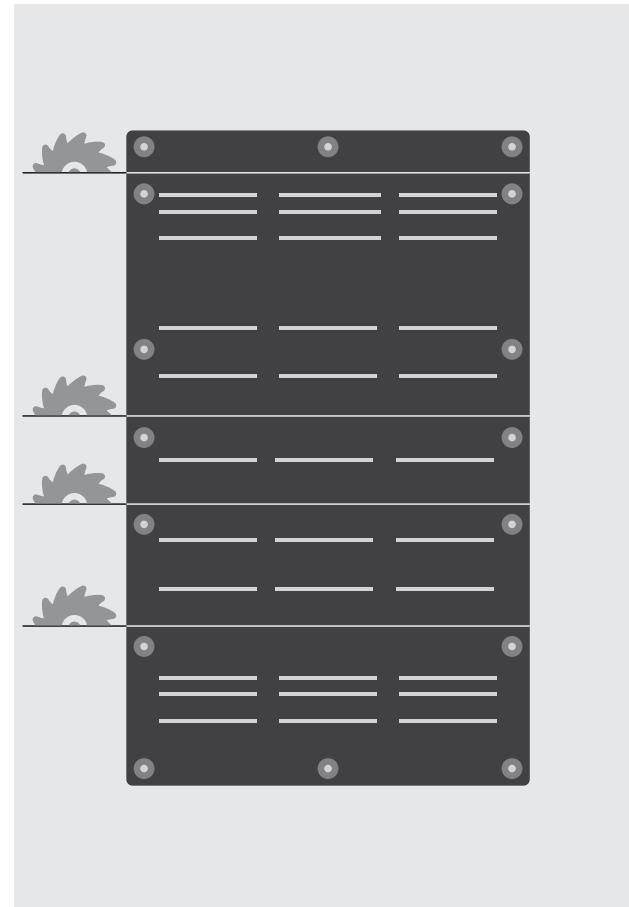
Make sure the TOP side is up.

Always start assembly of a wall with a bottom module, and keep a distance of at least 10 cm from the ground, and at least 20 cm from the ceiling.

We recommend 6 screws per grid.

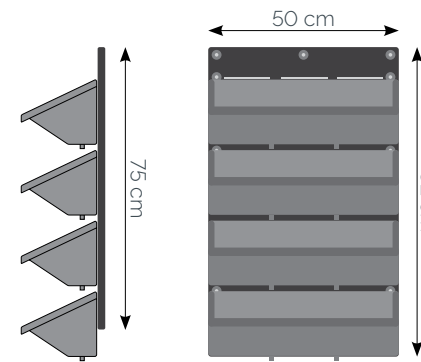


If you want to assemble a wall with non-standard dimensions, you can reduce the grids by cutting them to size along the sawing lines with a saw.



Module 50 cm

NextGen Living Wall Dimensions

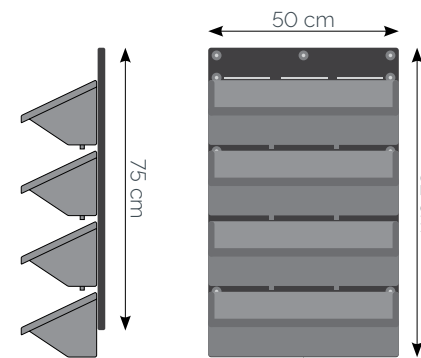


6NXGAM50X

Module **top**

All planters are open.

The planters of the upper grids overlap by 7 cm (see figure on page 8)



6NXGAM50D

Module **bottom**

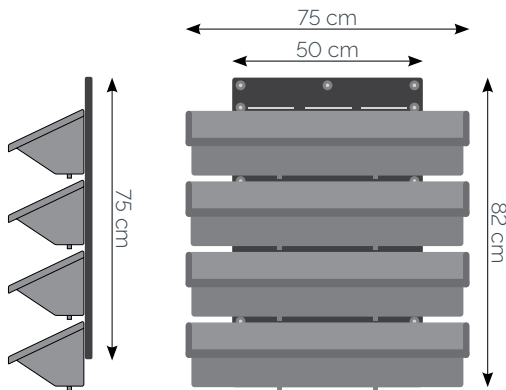
The bottom planter is closed

Closed planter

Module 75 cm

6NXGAM75X
Module **top**
All planters are open.

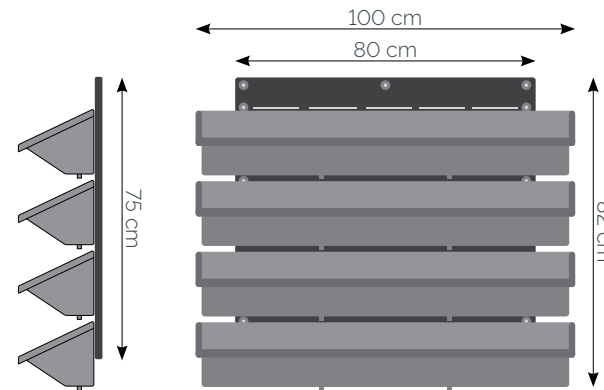
The planters of the upper grids overlap by 7 cm (see figure on page 8)



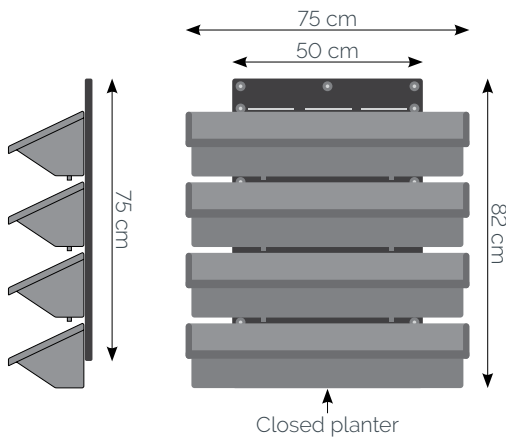
Module 100 cm

6NXGAM99X
Module **top**
All planters are open.

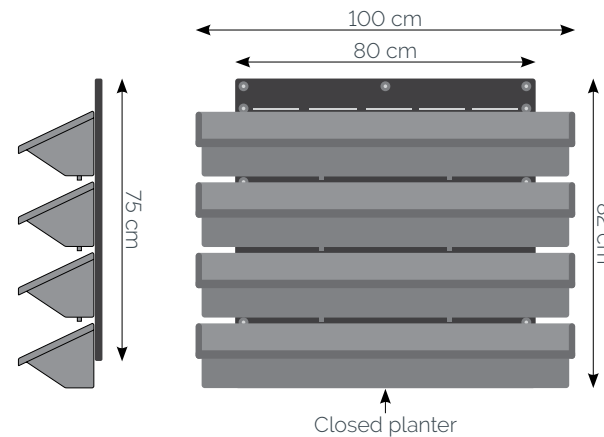
The planters of the upper grids overlap by 7 cm (see figure on page 8)



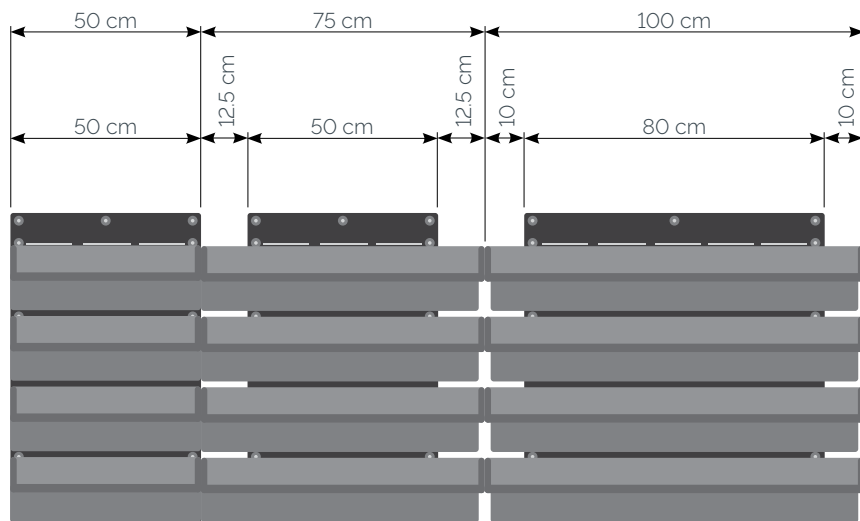
6NXGAM75D
Module **bottom**
The bottom planter is closed



6NXGAM99D
Module **bottom**
The bottom planter is closed



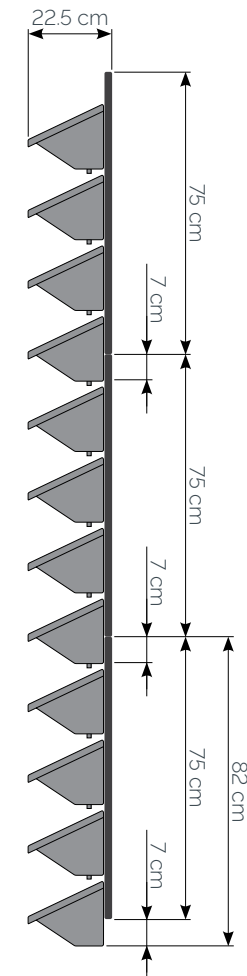
Module Distance between grids



	Module 50	Module 75	Module 100
Module 50	0 cm	12.5 cm	10 cm
Module 75	12.5 cm	25 cm	22.5 cm
Module 100	10 cm	22.5 cm	20 cm

Module Overlap

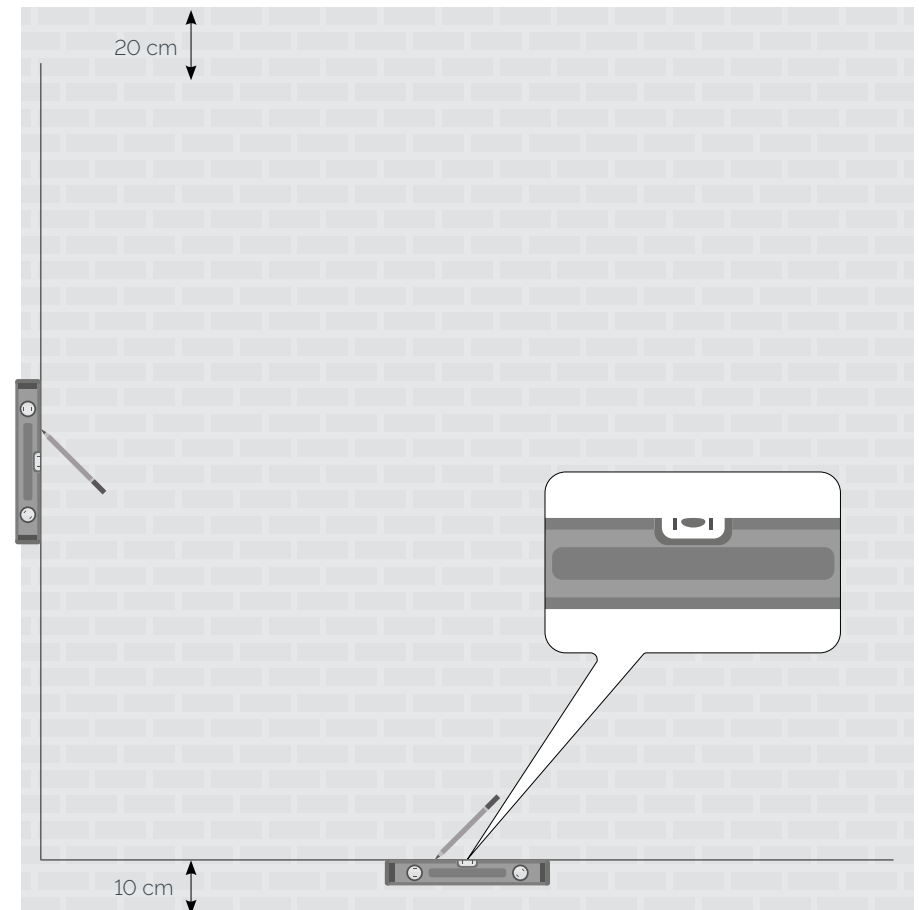
The planters of the upper grids overlap by 7 cm.



NextGen Living Wall Assembly

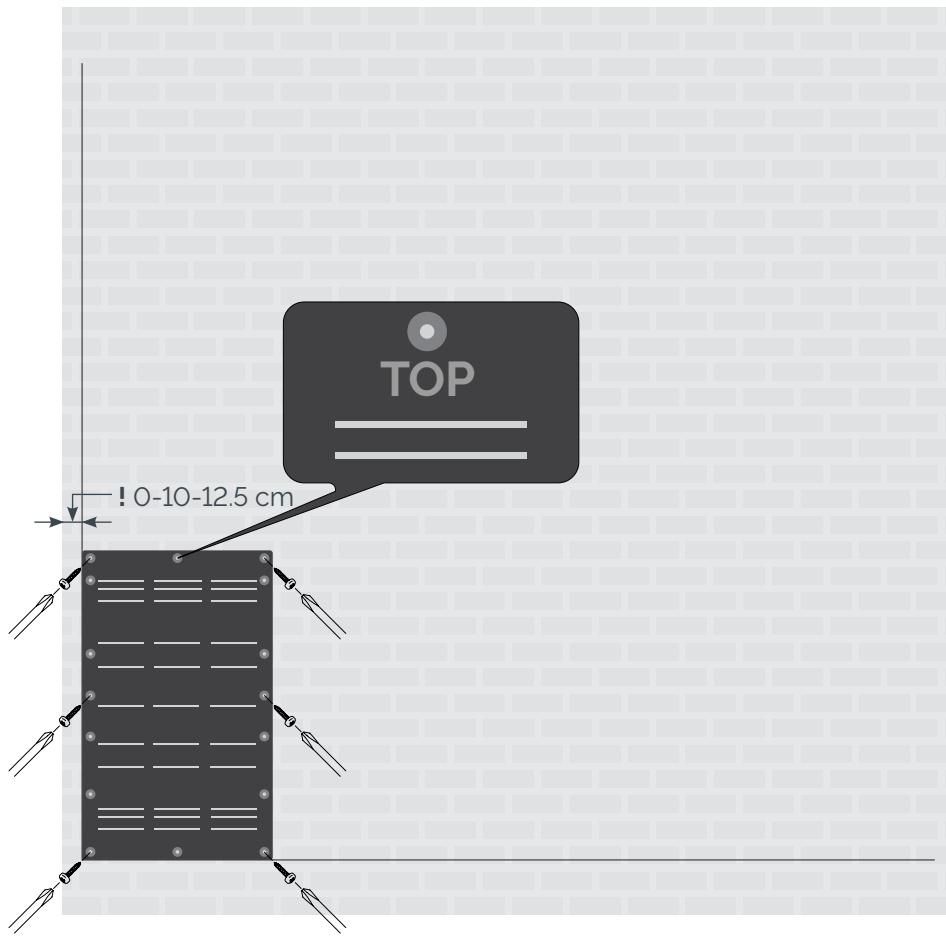
Step 1

Draw a horizontal and a vertical line on the wall. Draw from at least 10 cm from the ground, and until at least 20 cm to the ceiling.



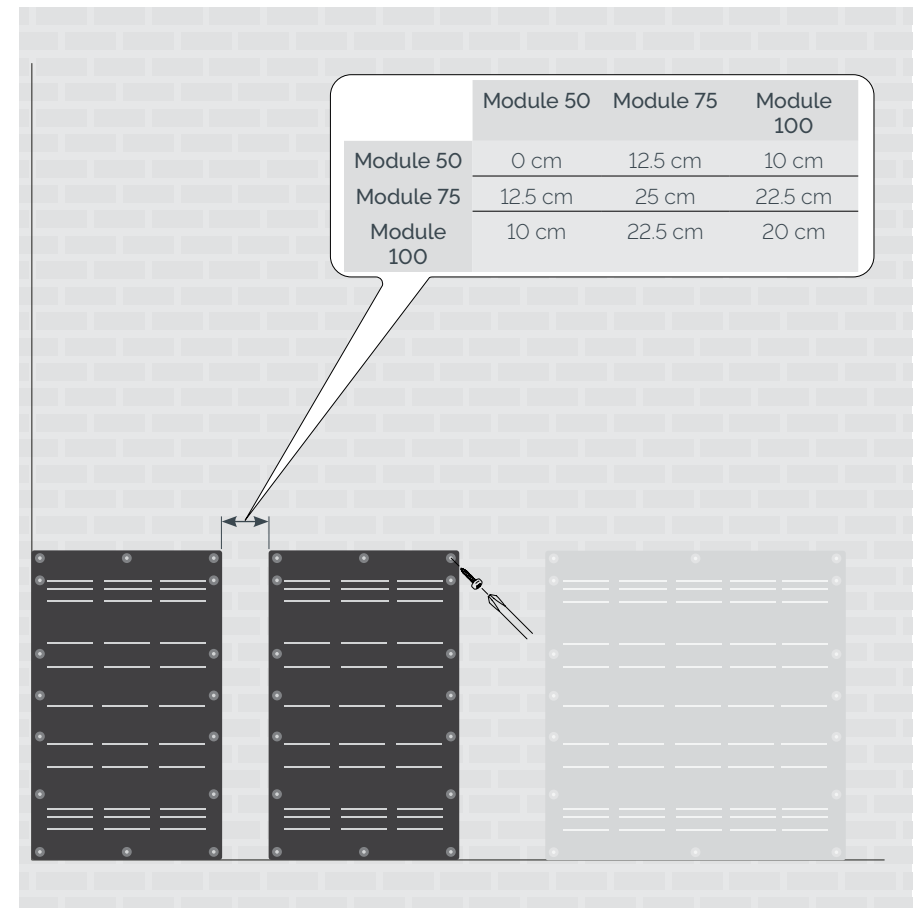
Step 2

First affix the bottom layer grids firmly to the wall. Take the mutual distance of the grids into consideration. See table on page 14. Work from left to right.



Step 3

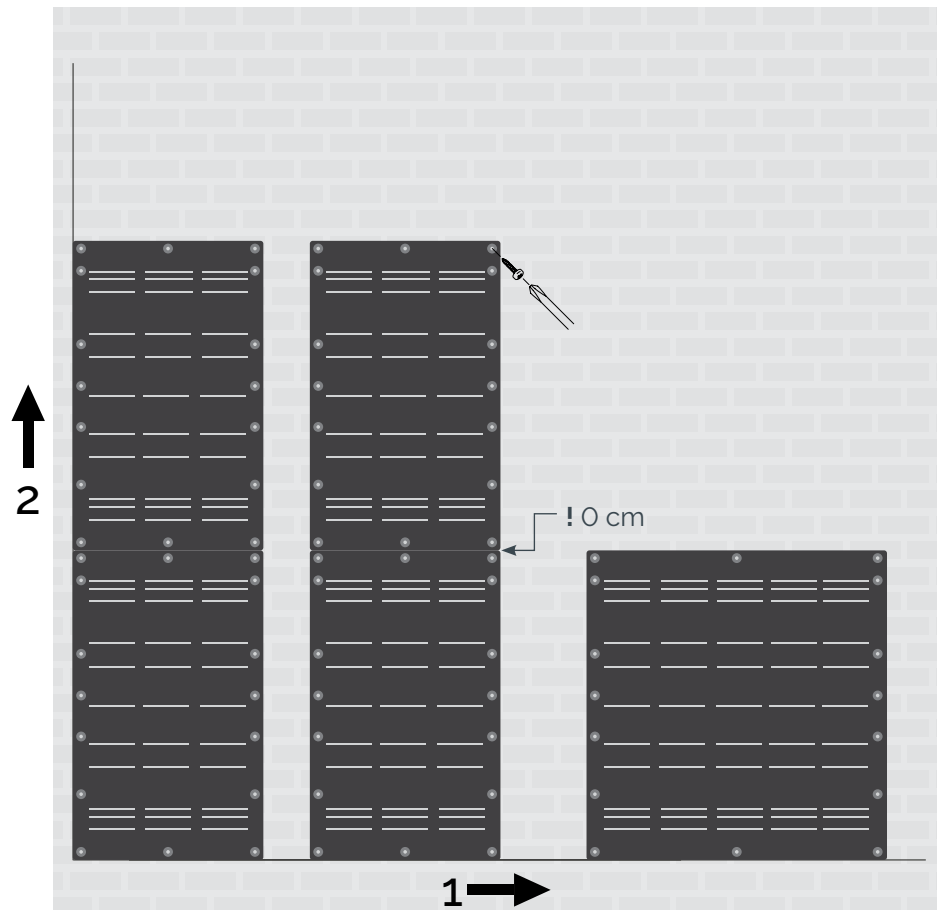
Determine the right distance between the grids before affixing the next grid. First place the bottom row.



Step

4

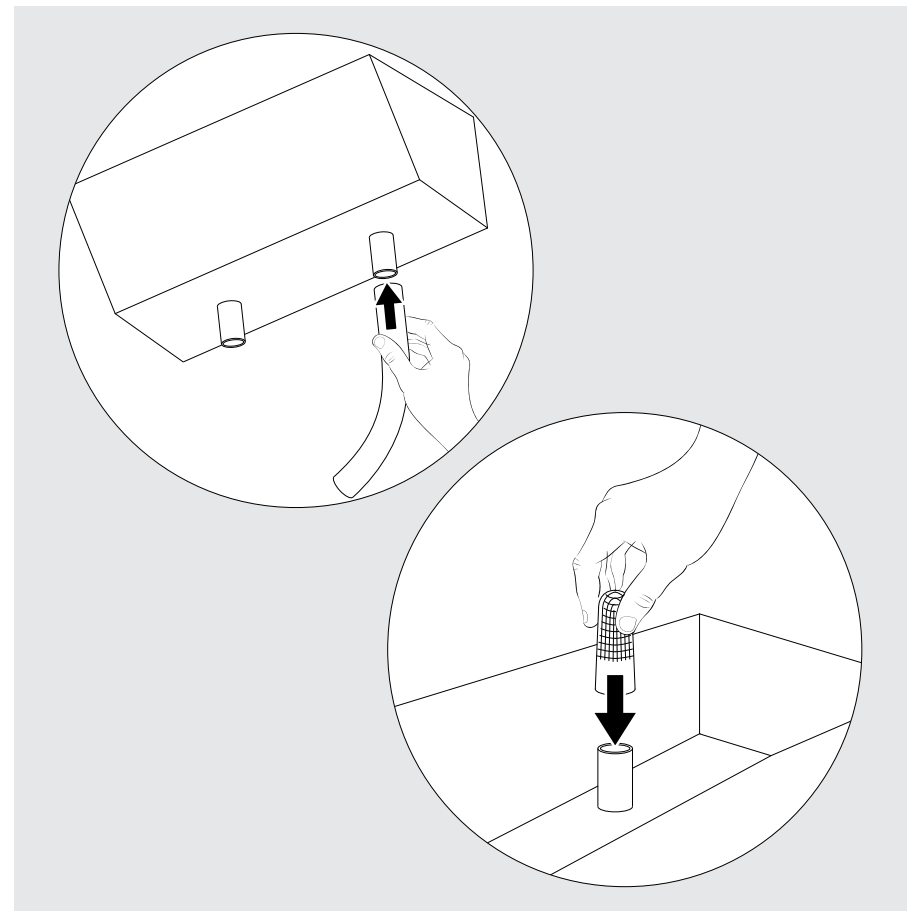
Continue working from left to right and from bottom to top. Ensure that there is no space between the rows.



Step

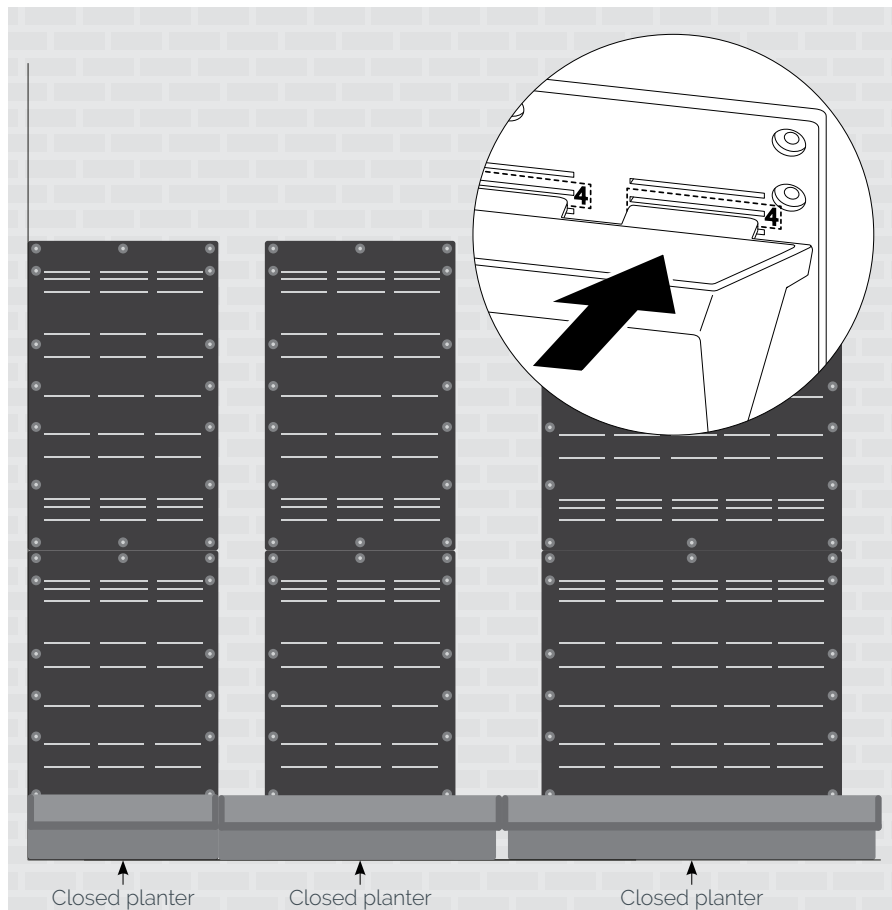
5

Before hanging in the planters, affix the drain hoses to the bottom of the drain pipe. Place the leaf catchers on the top of the drain pipe (this does not apply to the bottom planters).



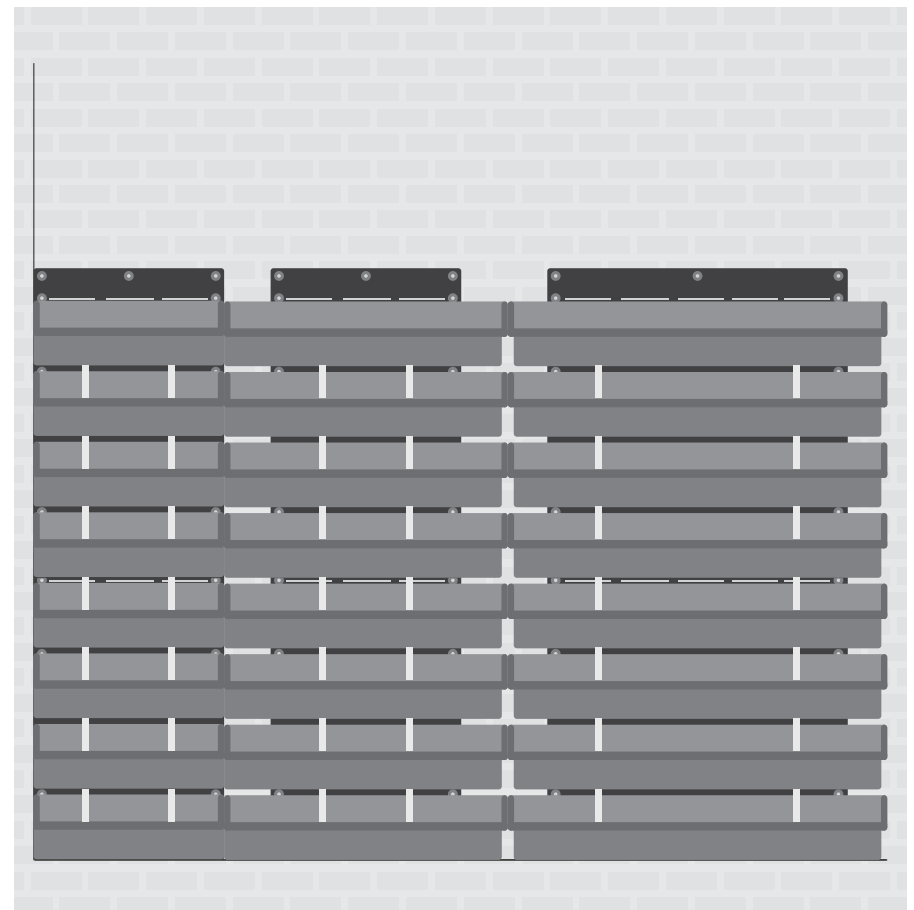
Step 6

Once all grids, drain hoses and leaf catchers are in place and affixed, you can hang in the planters. Always start with the bottom row, with closed **planters**. Tilt and place each planter in slot **4**.



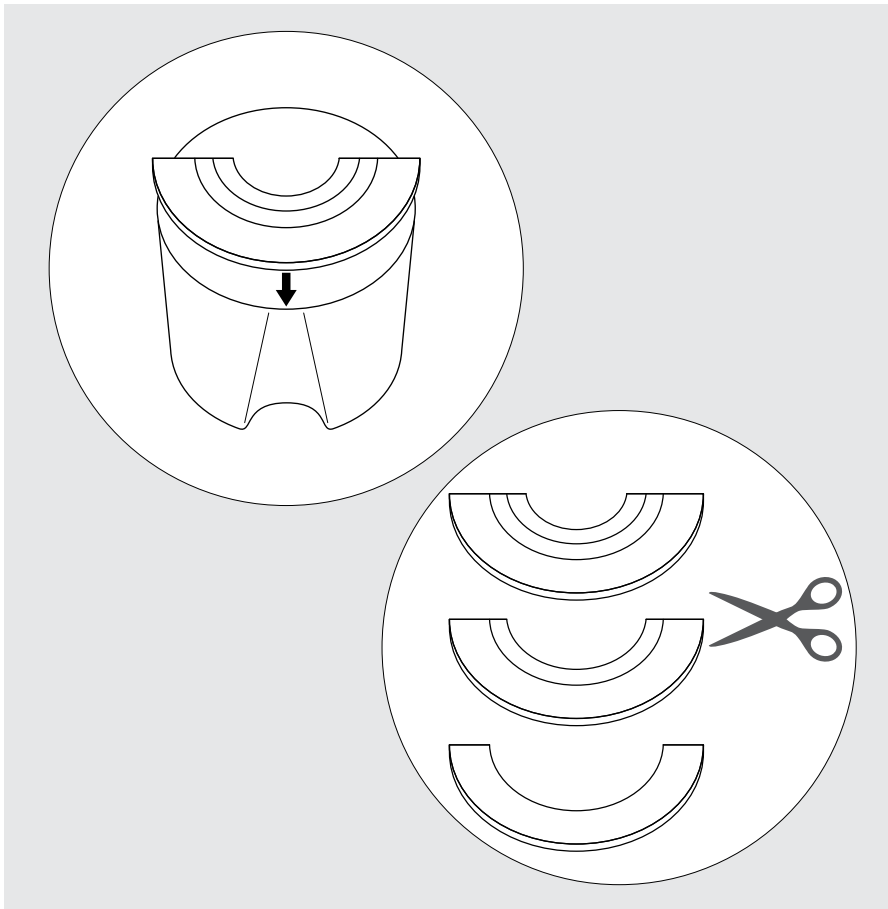
Step 7

If the bottom row of **closed** planters is fully placed, start placing the other planters from bottom to top and then from left to right.



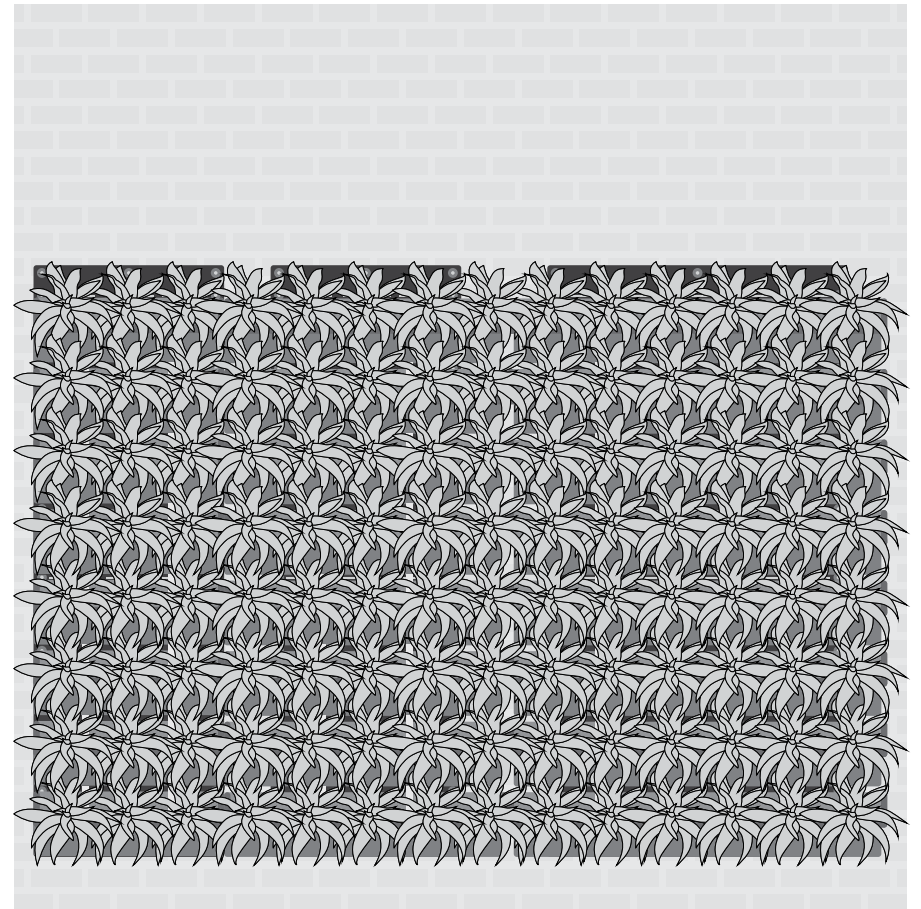
Step 8 Hydroculture

For hydroculture plants, we developed screens that are easy to click into the top of the hydro-pots. The hydro-screens are easy to cut to size with scissors as required.



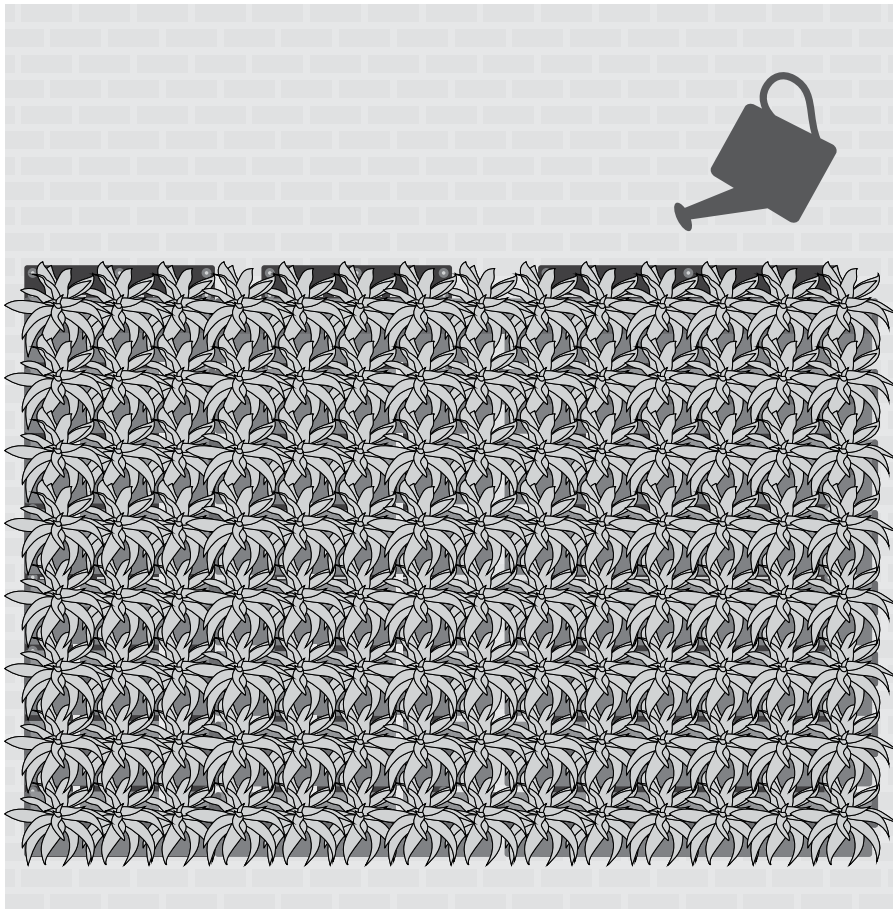
Step 8 Soil-based plants

Before placing soil-based plants in the tray, please check if loose soil is on top. If yes, press lightly. Push the wicks through the pot in the soil from the bottom, and let it stick out a little to ensure that the wicks are able to absorb plenty of water.



Step 9

Water the top tray. Subsequently, fill the planters up to the level of the drain pipes. This way, you maximise the water cycle.





Nieuwkoop Europe B.V.

Hoofdweg 111

1424 PE De Kwakel

The Netherlands

t +31 885 014 000

e sales@nieuwkoop-europe.com

www.nieuwkoop-europe.com



© 2024 Nieuwkoop Europe B.V. All rights reserved. No claims can be made on the information contained in this document.